

(21) Application No: 0809446.8

(22) Date of Filing: 23.05.2008

(71) Applicant(s):
Virginia De Ledesma
10 Poulton Place, OXFORD, OX4 6BW, United Kingdom

(72) Inventor(s):
Virginia De Ledesma

(74) Agent and/or Address for Service:
Frank B Dehn & Co.
St. Bride's House, 10 Salisbury Square, LONDON,
EC4Y 8JD, United Kingdom

(51) INT CL:
G01S 5/12 (2006.01) A61H 3/06 (2006.01)
G09B 21/00 (2006.01)

(56) Documents Cited:
GB 2337173 A EP 0591899 A1
WO 2006/125849 A1 WO 1995/014241 A1
JP 110030659 A US 4067015 A

(58) Field of Search:
INT CL A61H, G01C, G01S, G09B
Other: EPODOC,WPI,TXTE

(54) Abstract Title: Directing the movements of a visually impaired performer around a stage

(57) An apparatus is provided for assisting the movement of a visually impaired performer 4 on a stage 2 during a performance of a musical and/or dramatic work. During a rehearsal of the work, the position of the performer 4 is detected whilst following a desired path. Data indicative of the desired position of the performer 4 is stored via a computer 14 as a function of time with respect to the performance of the work. During a live performance, the computer 14 processes data indicative of time with respect to the live performance of the work, desired position data, and actual position data, to calculate data representative of how the performer 4 should move. Signals are provided indicating movements that the performer 4 should make to follow the desired path. The signals may be provided via a signalling vest which comprises four infrasound transducers located around the performer's body. The position of the performer may be determined by multilateration by means of a beacon 20 and base units 18.

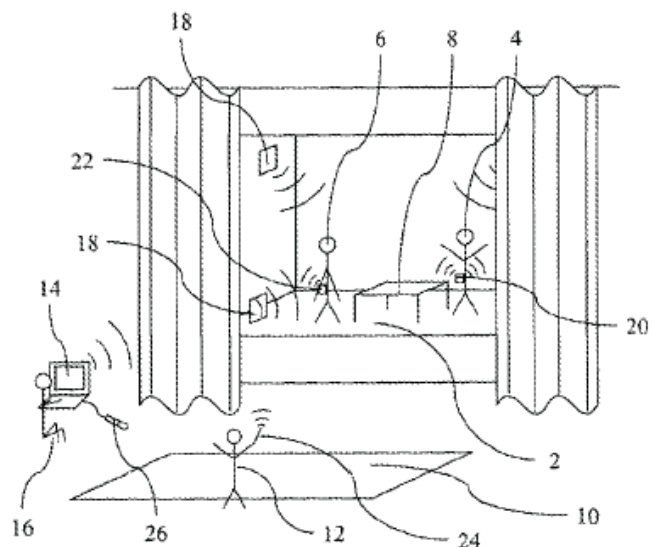


Figure 1

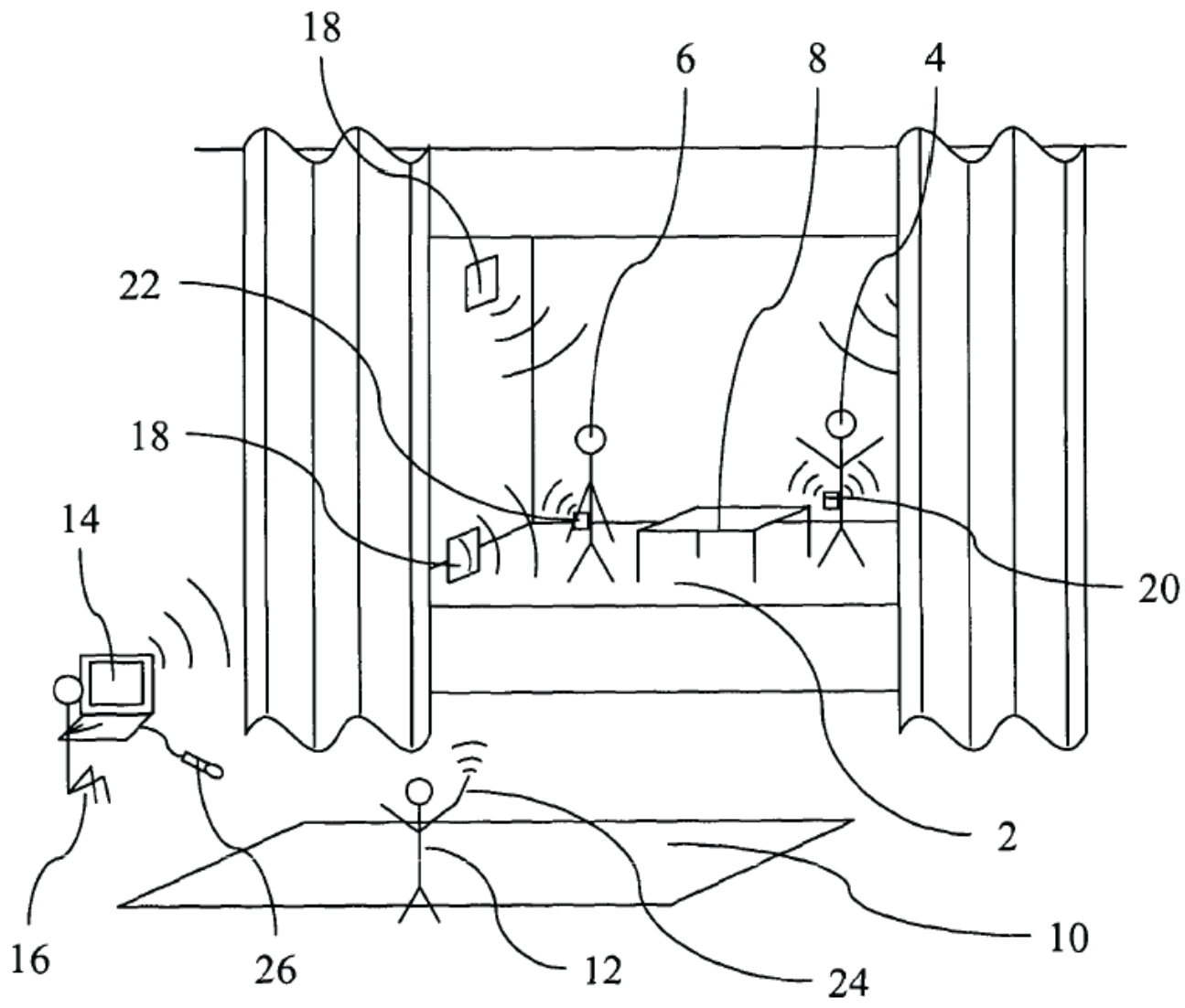


Figure 1

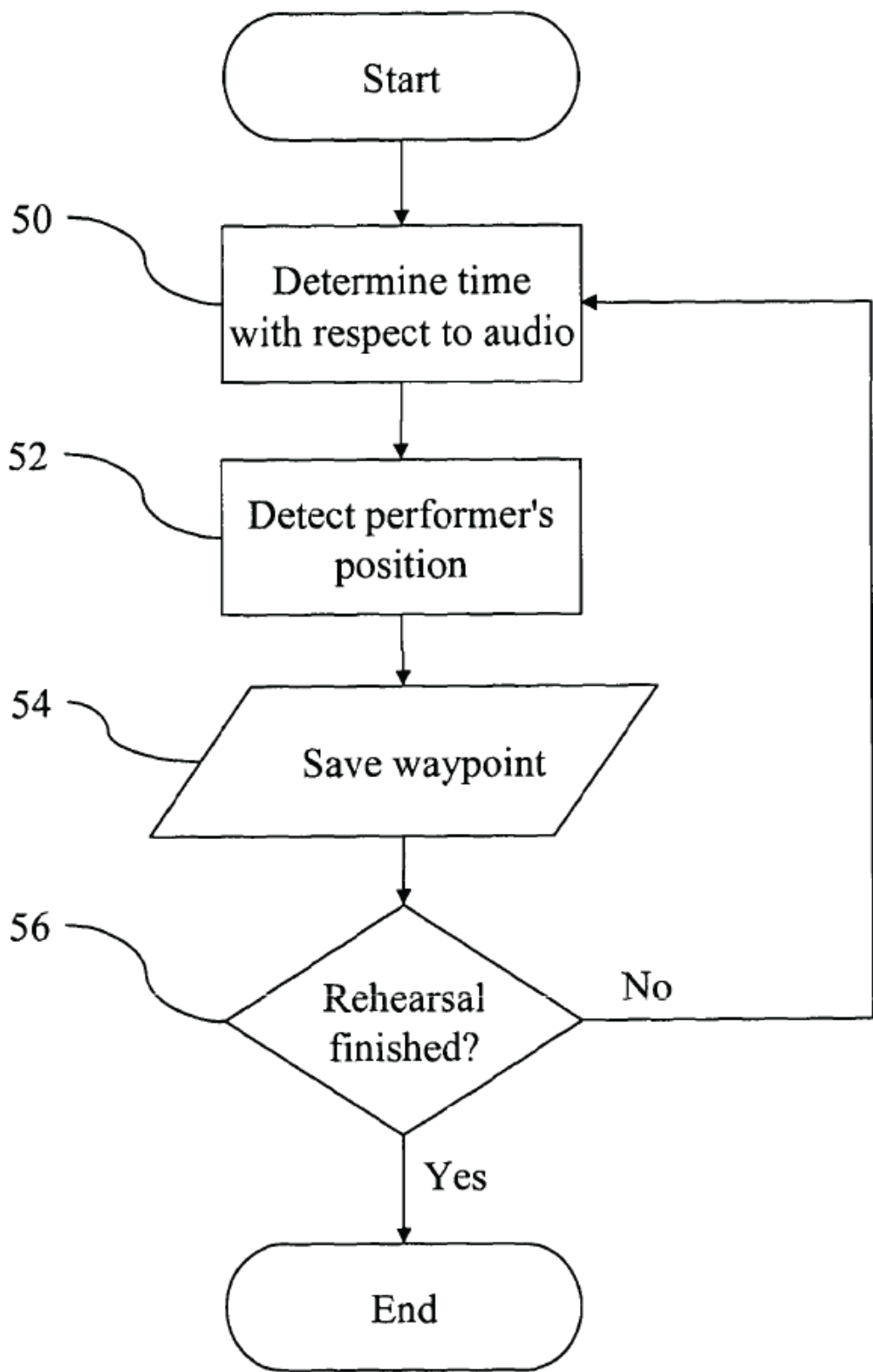


Figure 2

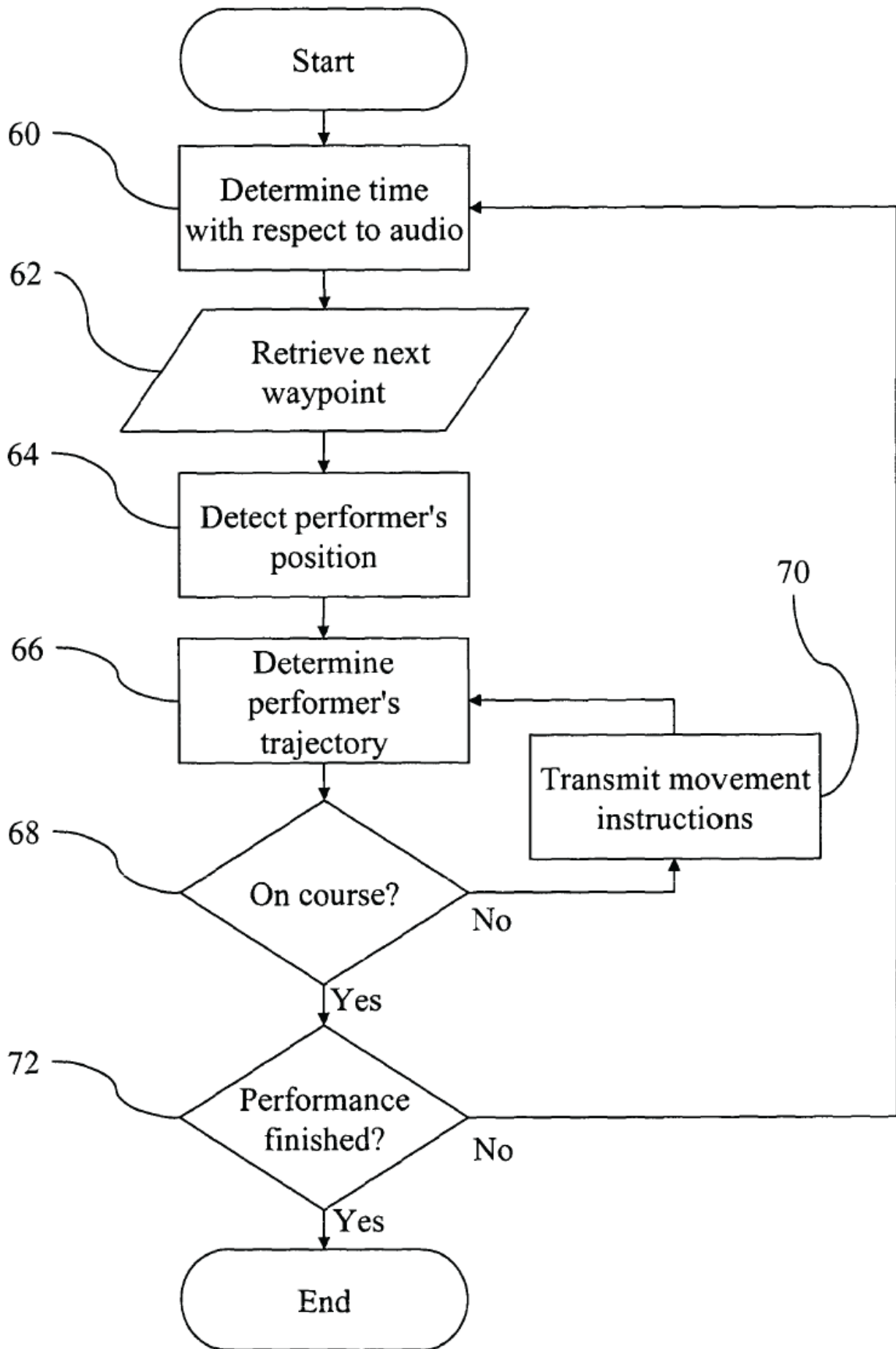


Figure 3